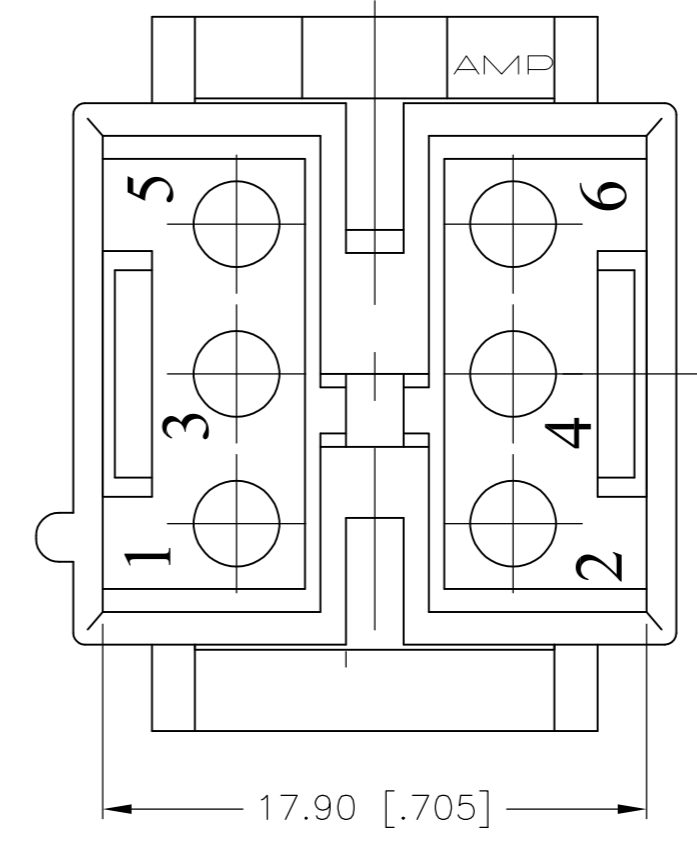
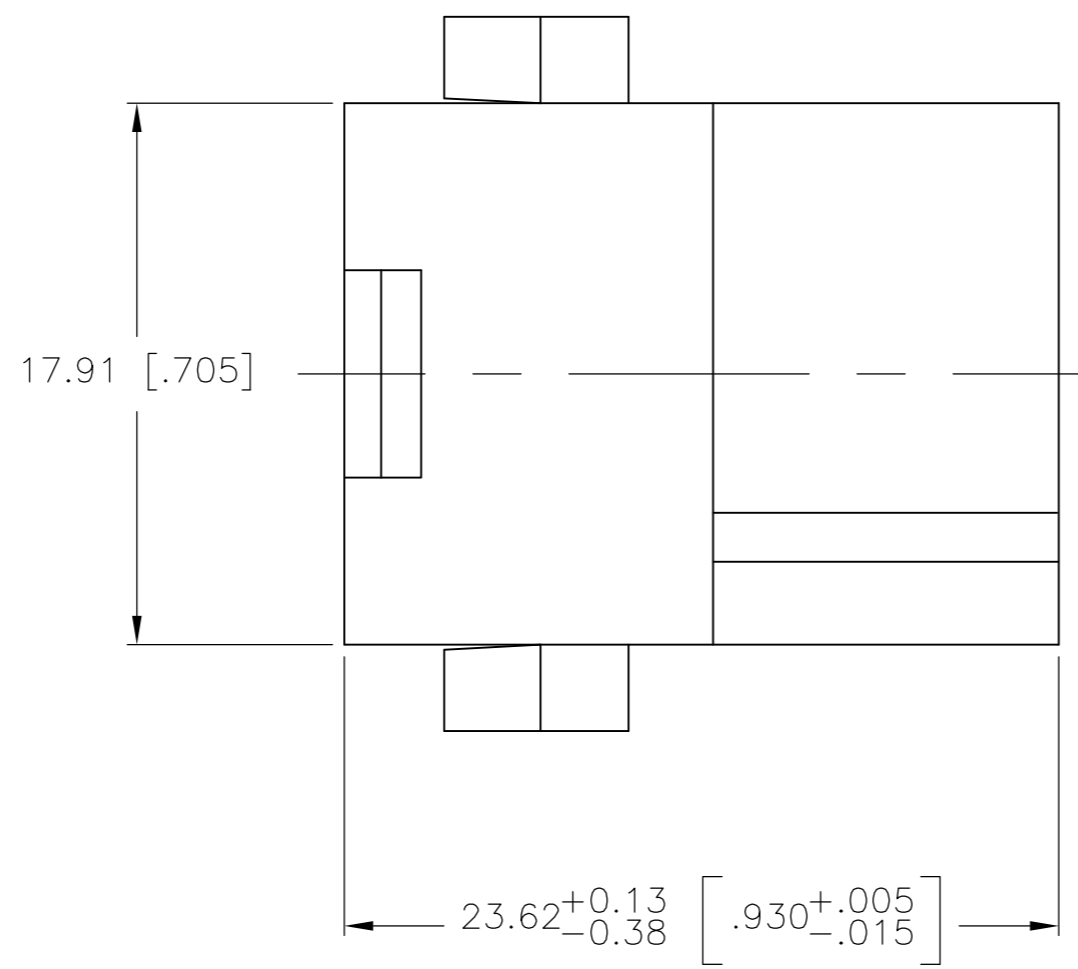
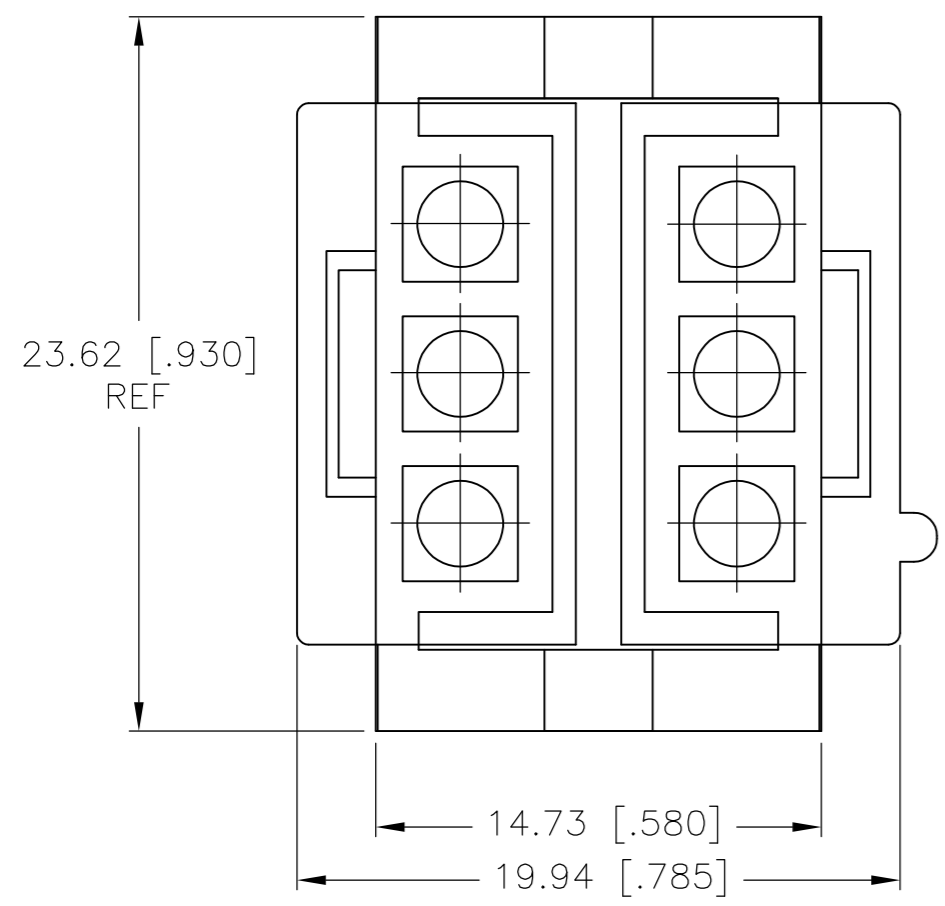
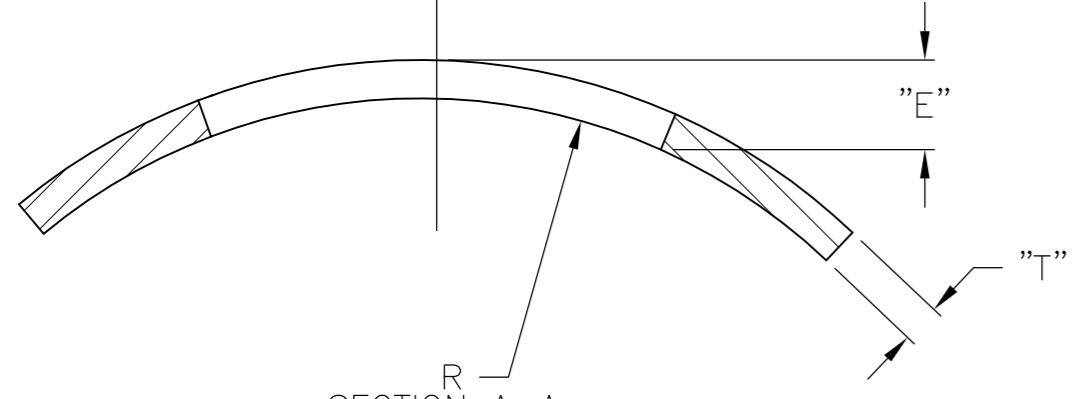
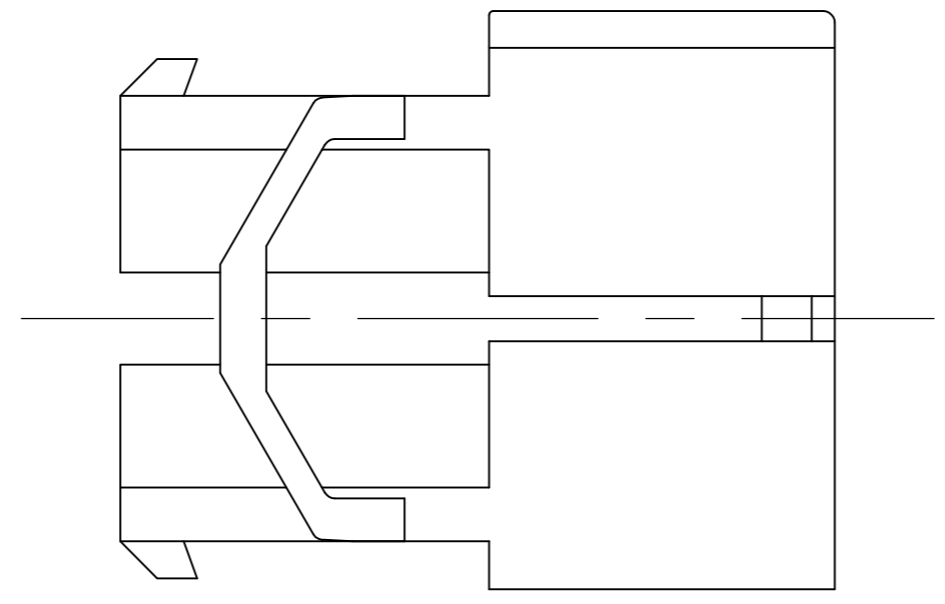
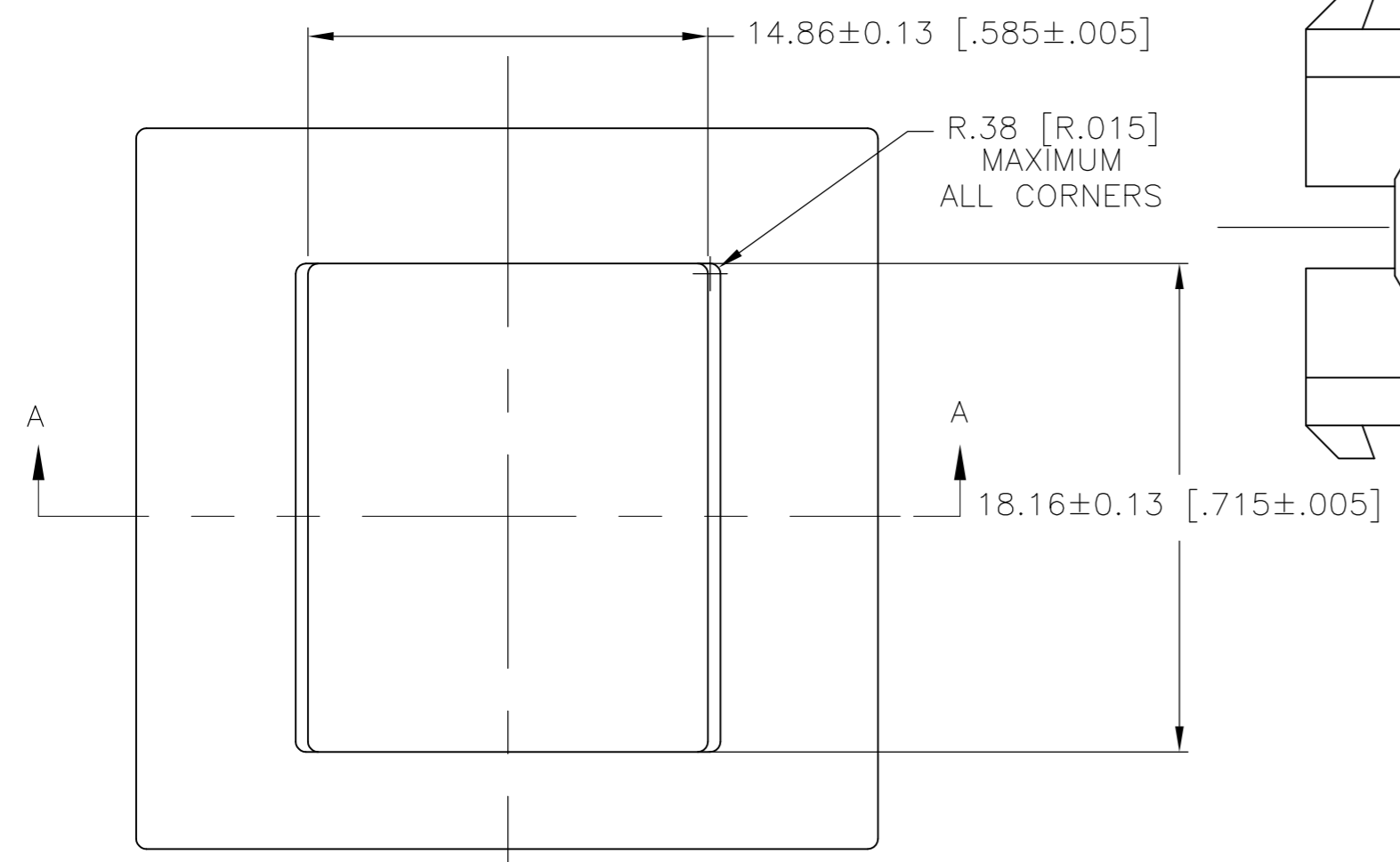


THIS DRAWING IS UNPUBLISHED. RELEASED FOR PUBLICATION  
 © COPYRIGHT BY TYCO ELECTRONICS CORPORATION. ALL RIGHTS RESERVED.

LOC		DIST		REVISIONS			
P	LTR	DESCRIPTION	DATE	DWN	APVD		
CM	00						
	N	ECO-07-028188	06DEC07	KW	CC		



1. TO BE USED WITH MATE-N-LOK(TM) DUAL LANCE PINS.
2. TO BE USED WITH PLUG 480696.
3. EFFECTIVE PANEL THICKNESS "E" IS 1.02 [.040]-2.54 [.100] AND IS DEPENDENT ON "T" & "R".
4. CAP MUST BE INSERTED IN A ROCKING MANNER.
5. HOUSING MUST ENTER PANEL IN THE SAME DIRECTION AS THE PUNCH.
6. PANEL MUST NOT HAVE ANY MATERIAL (PAINT, PORCELAIN, ETC.) APPLIED IN THE MOUNTING HOLE AREA THAT WOULD DECREASE RETENTION OF THE HOUSING IN THE PANEL.



RECOMMENDED PANEL CUTOUT FOR 6 CIRCUIT MOTOR MOUNT CAP

GREEN	NYLON	1-480697-5
RED	NYLON	1-480697-2
NATURAL	NYLON	1-480697-0
COLOR	MATERIAL	PART NO.

THIS DRAWING IS A CONTROLLED DOCUMENT.		DWN S. HOOVER 22-MAY-2003	Tyco Electronics Corporation Harrisburg, PA 17105-3608	
DIMENSIONS: mm [INCHES]		CHK D. COLEY 22-MAY-2003	NAME CAP, MATE-N-LOK(TM), 6 CIRCUIT	
TOLERANCES UNLESS OTHERWISE SPECIFIED:		APVD D. COLEY 22-MAY-2003	SIZE A2 CAGE CODE 00779 DRAWING NO C=480697	
0 PLC ±		PRODUCT SPEC	RESTRICTED TO	
1 PLC ±		APPLICATION SPEC	SCALE 4:1 SHEET 1 OF 1 REV N	
2 PLC ± 0.13 [.005]		WEIGHT		
3 PLC ±		CUSTOMER DRAWING		
4 PLC ±				
ANGLES ± 0°30'				
FINISH				